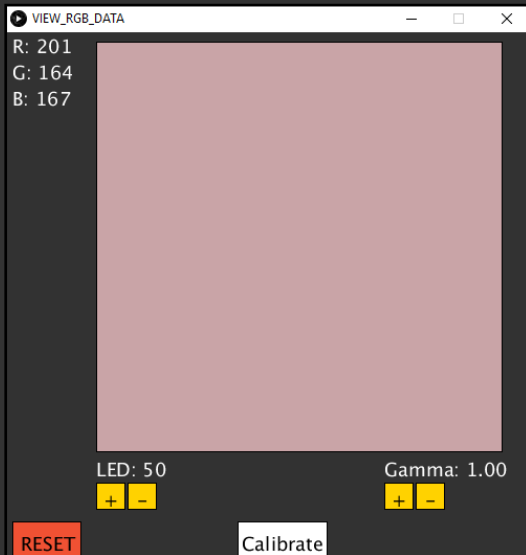


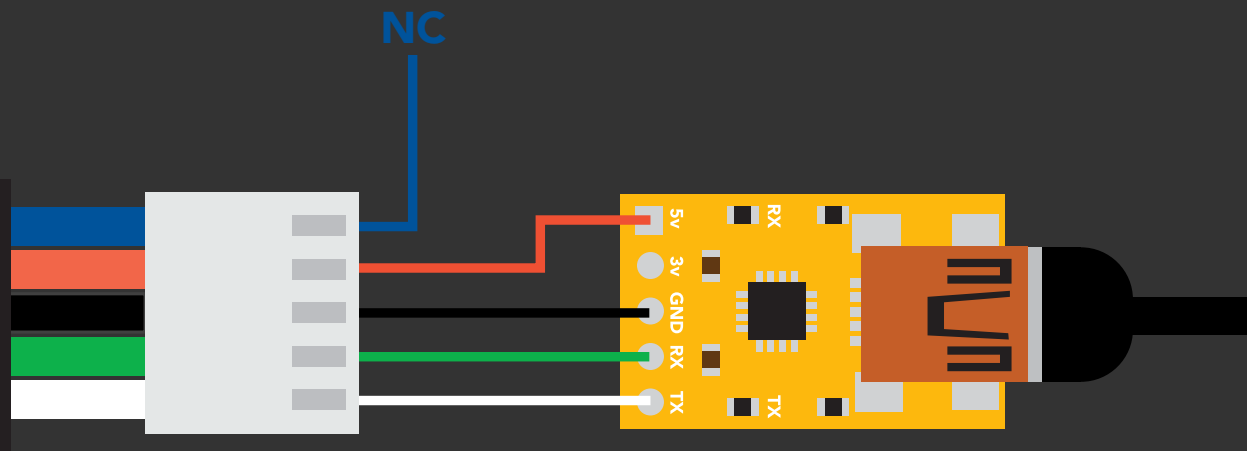
# How to view RGB output on your computer

Revised 2/28/19



In order to get this code working correctly,  
you will need to install Processing.

Click to download [Processing](#)



Click here to download the \*.pde file