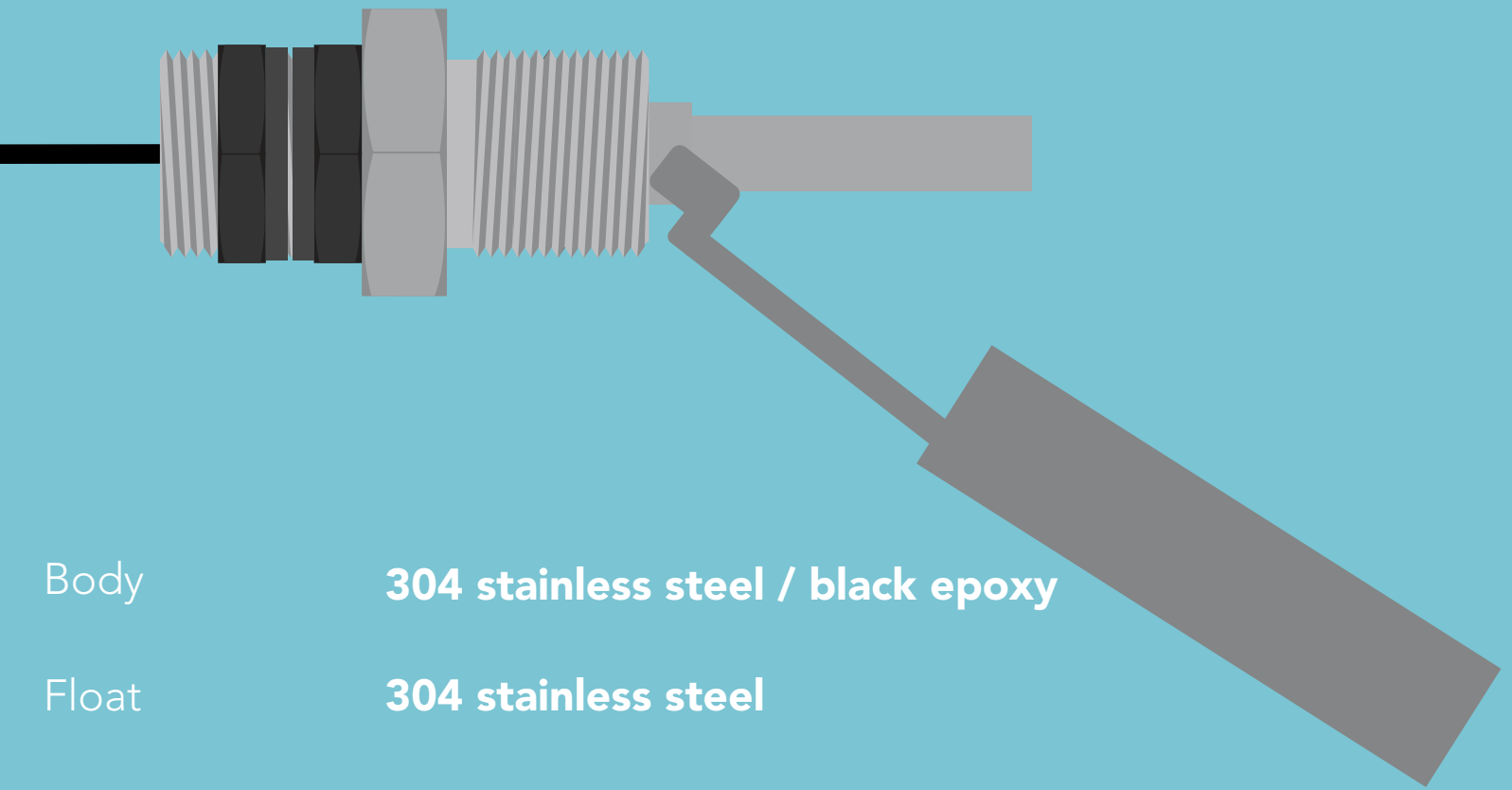


Hinged Metal Float Switch

304 stainless steel



Body **304 stainless steel / black epoxy**

Float **304 stainless steel**

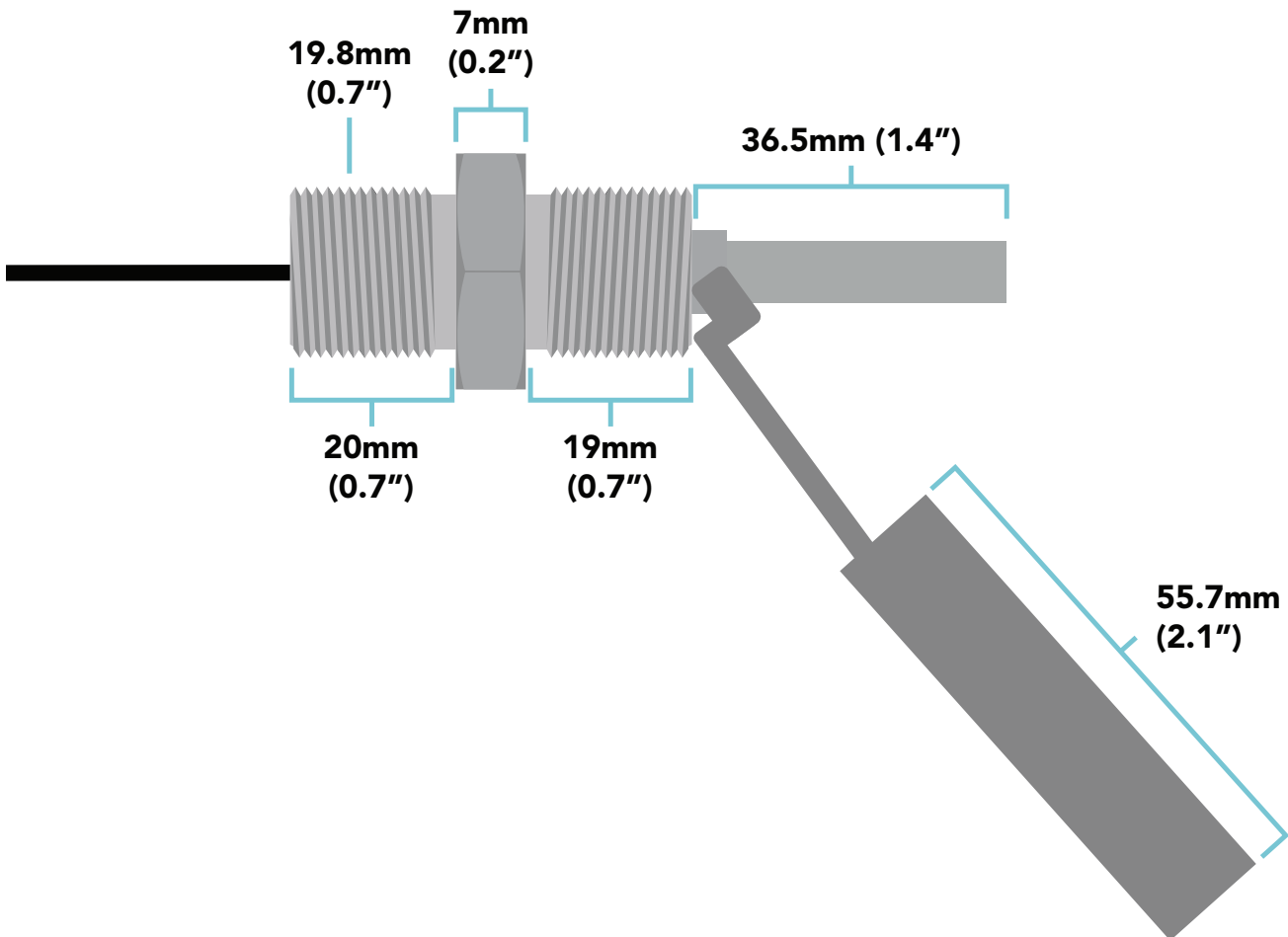
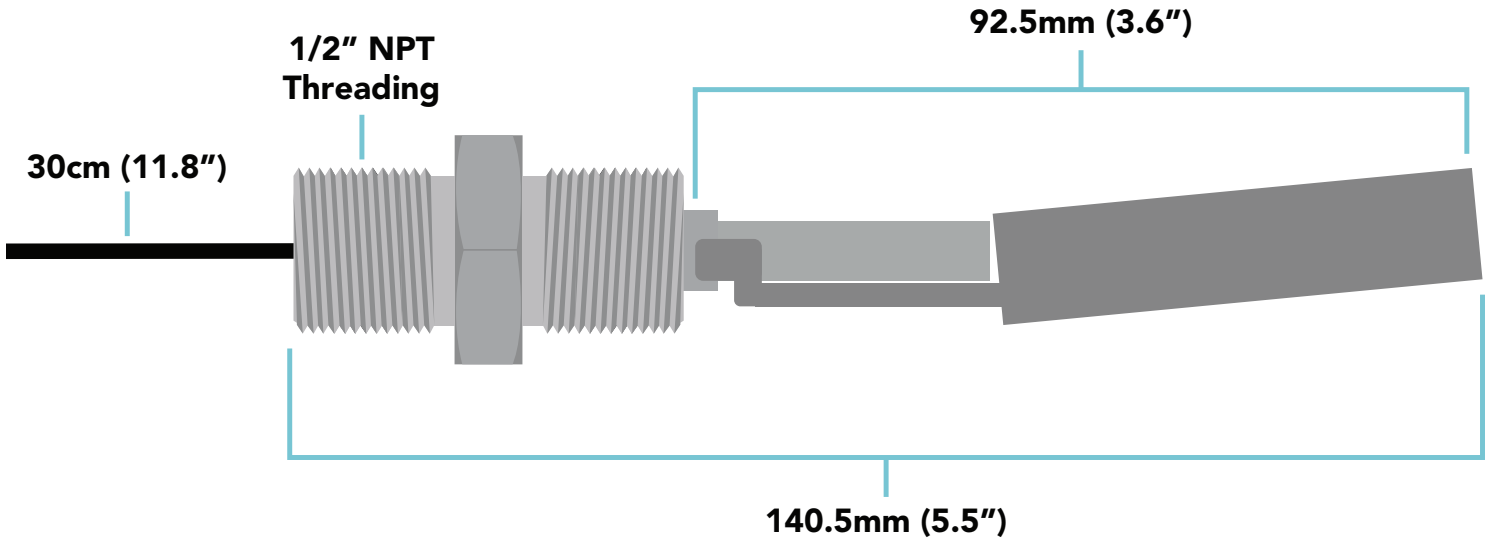
Wire **22 AWG**

Max voltage **50V (AC or DC)**

Max current **0.5A**

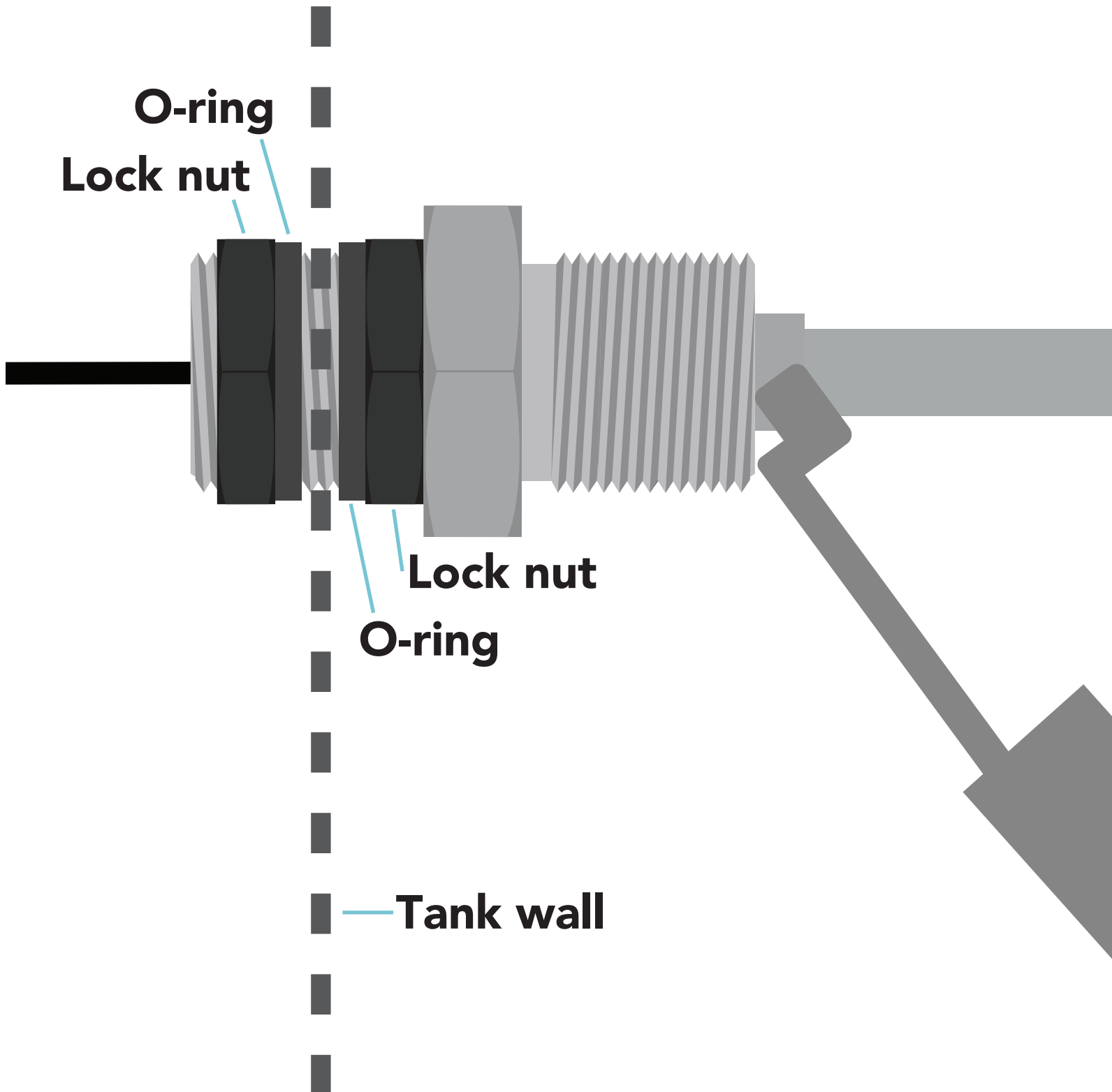


Float Switch dimensions

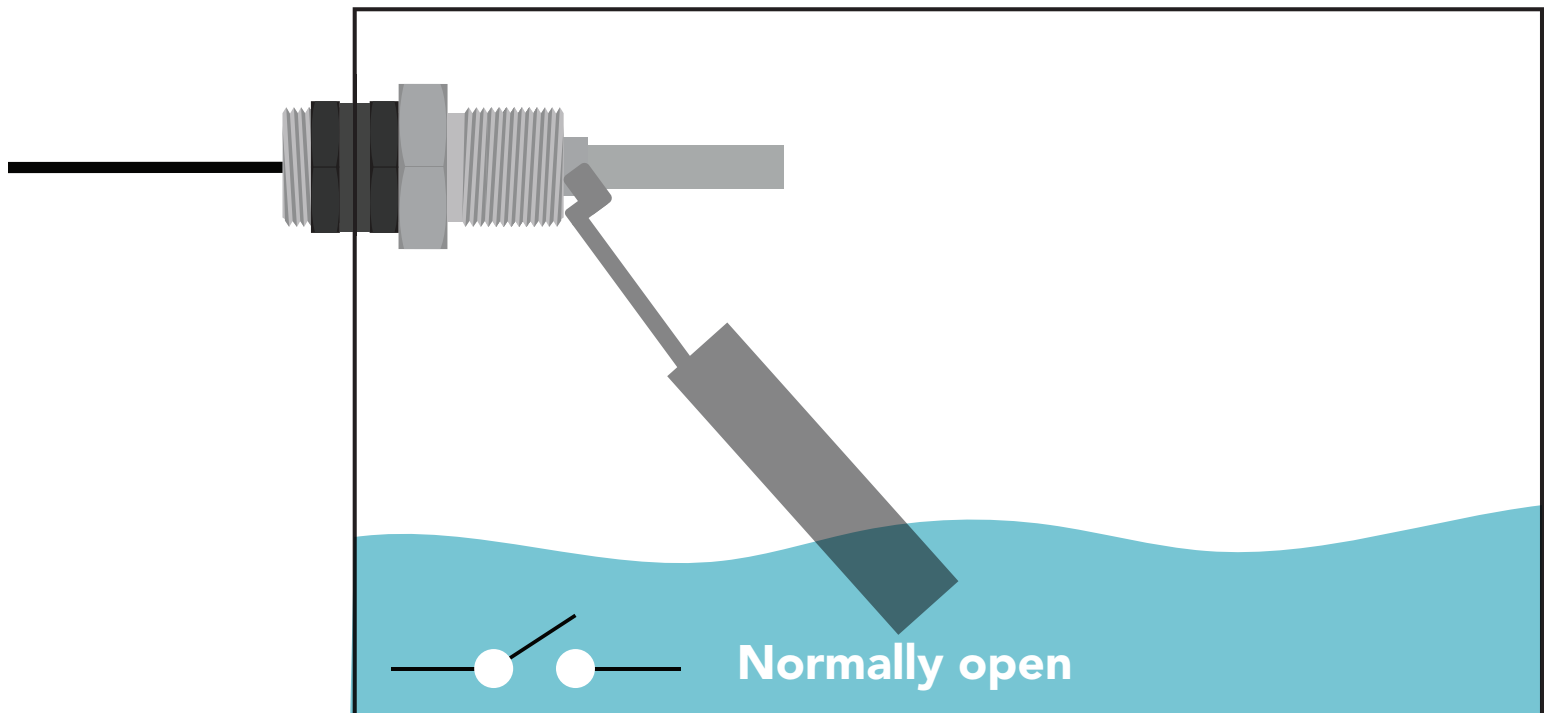
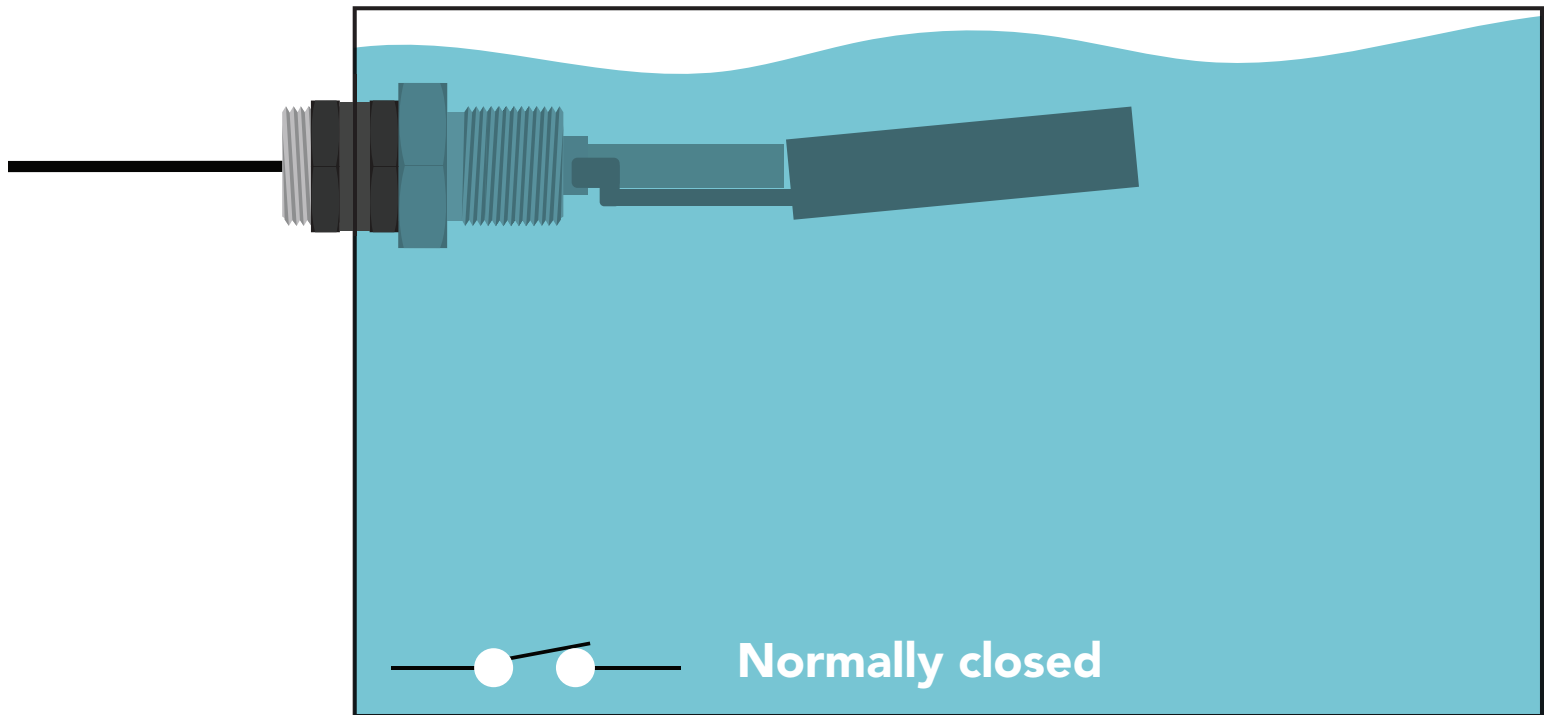


Float Switch parts

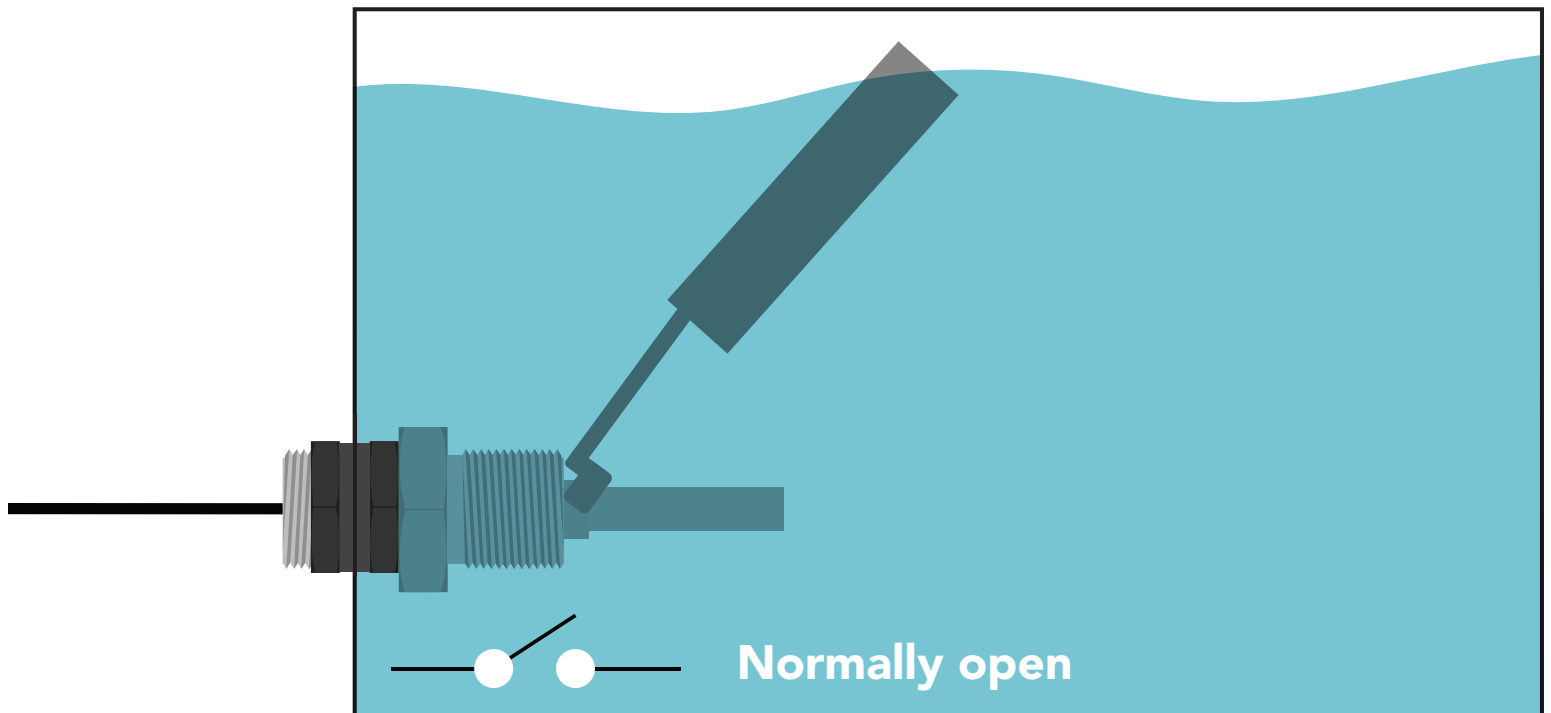
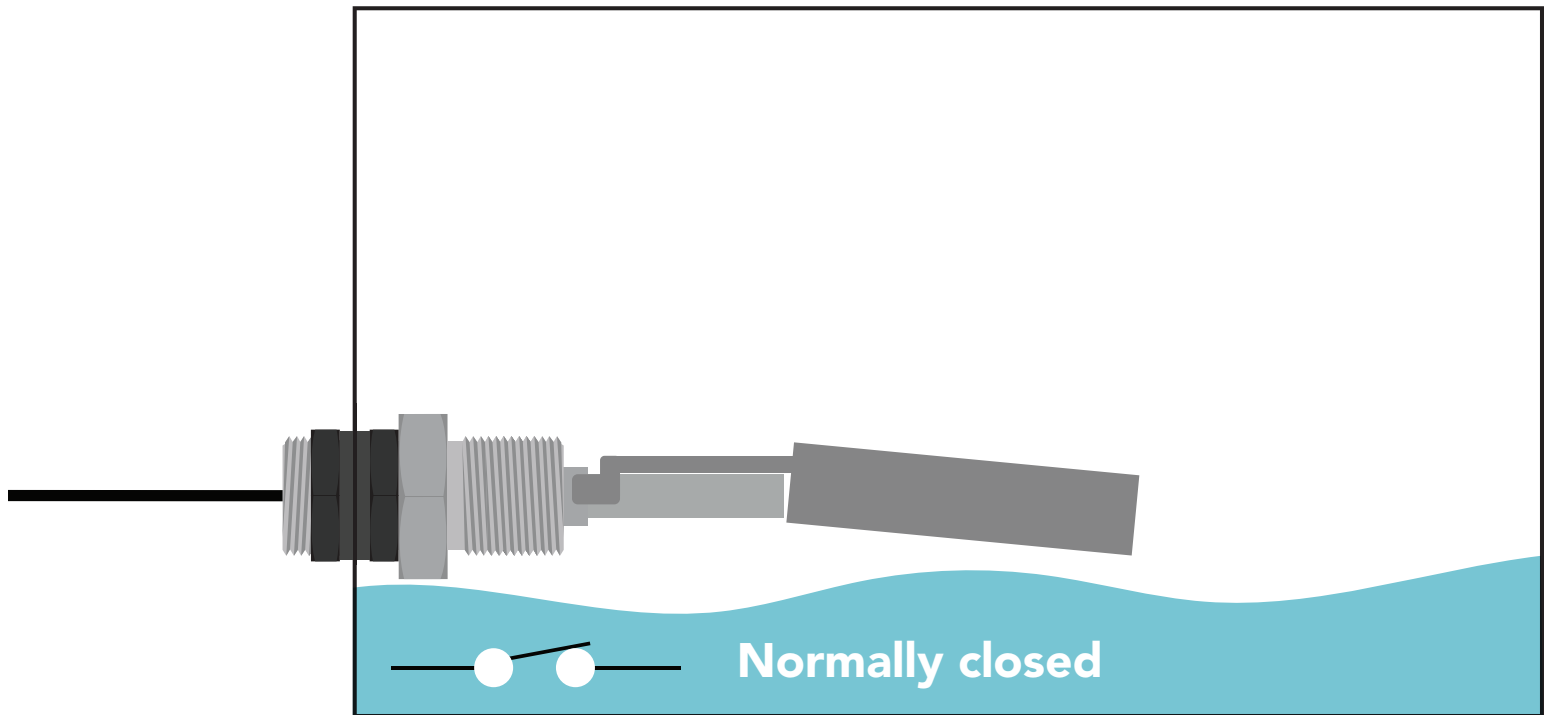
The hinged metal float switch comes with 2 Lock nuts and 2 O-rings, used to securely mount the float switch into your tank.



Tank full sensor

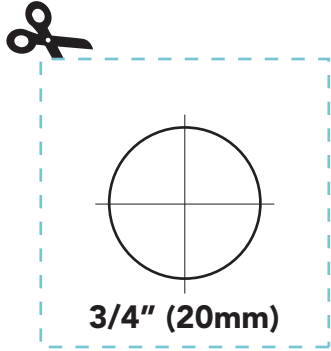


Tank empty sensor

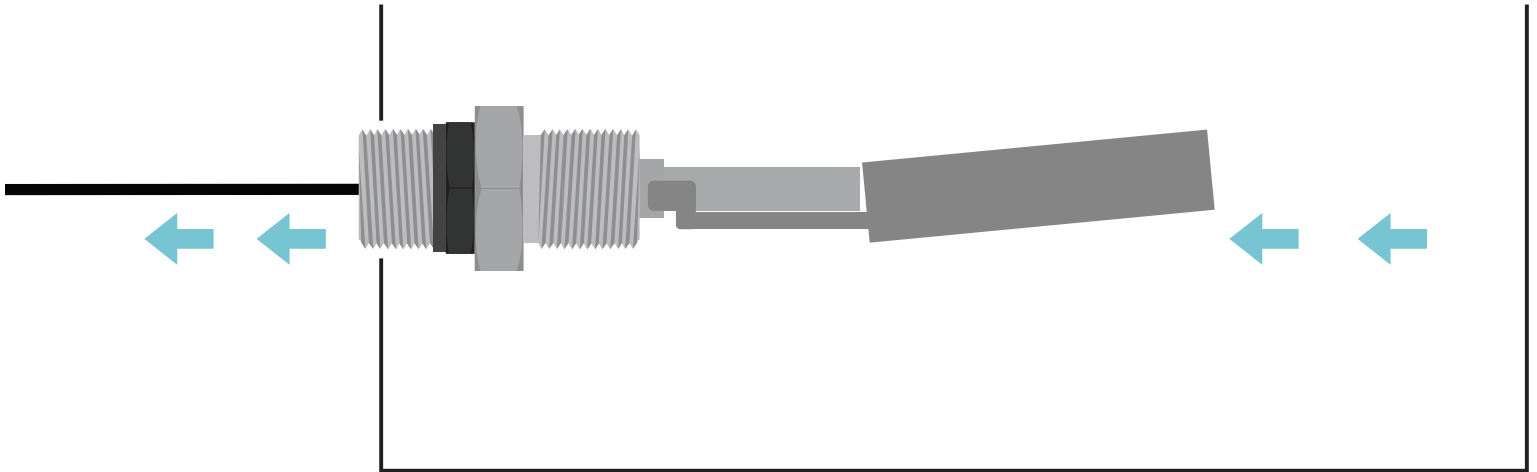


Installation guide

Cut out the hole template shown below, and use a drill to drill out the 3/4" (20mm) hole needed to fit the float switch.



Once the 3/4" (20mm) hole has been made, unscrew and remove the rear lock nut and o-ring. Install the float switch from the inside of your tank or container.



Now that the float switch is in place, re-attach and fully tighten the lock nut and o-ring.

