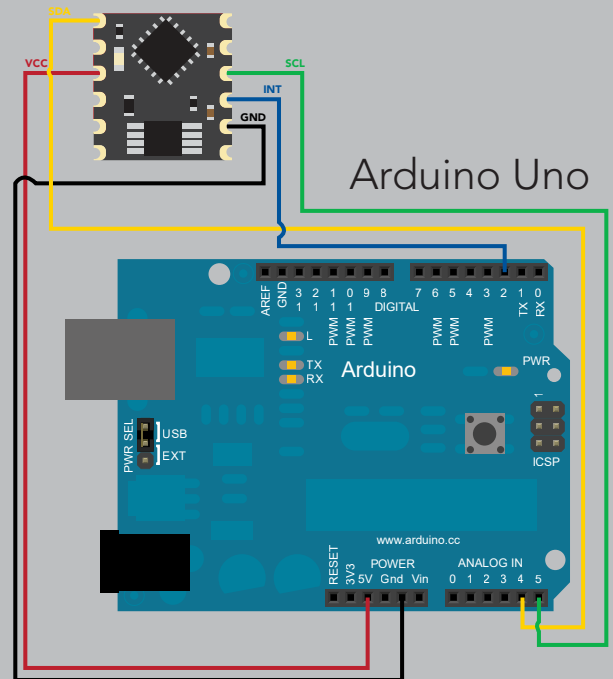
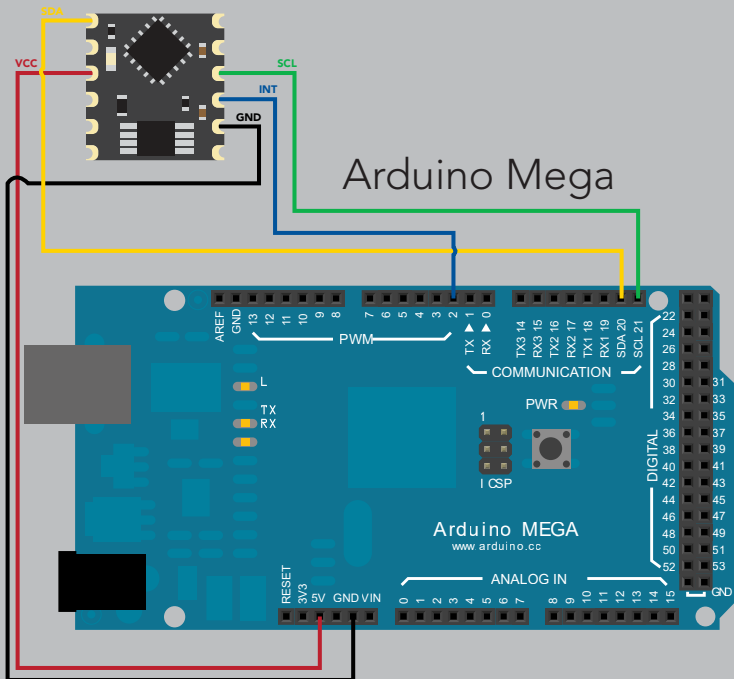


After flashing the Arduino with the code below, open the serial monitor and set it to append **carriage return** only and then set the baud rate to **9600**. Send a "?" to see a list of commands.

[Click Here](#) to see how to properly connect a PT-100 / PT-1000 probe to the RTD Temperature OEM circuit.



[Click here to download the sample code](#)